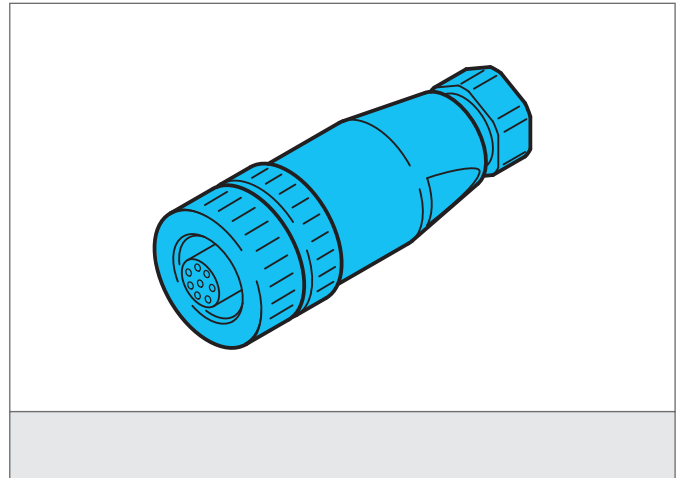


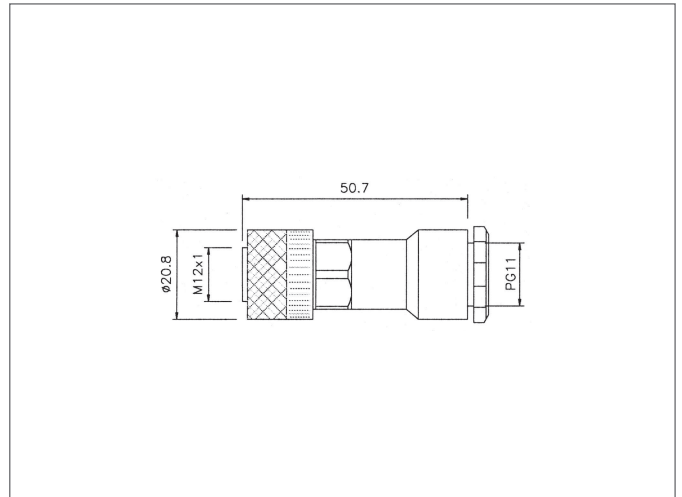
C8D M 11 Connector

- High protection class
- Robust design
- Metal casing



Safety instructions

All the installation, connection and safety regulations, as per our technical information, have to be strictly adhered to.
The set-up of the products have to be made by skilled staff, only.
Repair exclusively made by di-soric.



TECHNICAL INFORMATION (typ.)		+20°C, 24V DC
Operating principle		Connector
Size		M12 (thread)
Design		straight
Characteristics		metal coupling ring
Protection class		IP 67
For		receiver SLI...
Material		PVC (Cable)
Connection		Socket M12, 8-poled, with screw terminal and PG9/11 cable gland